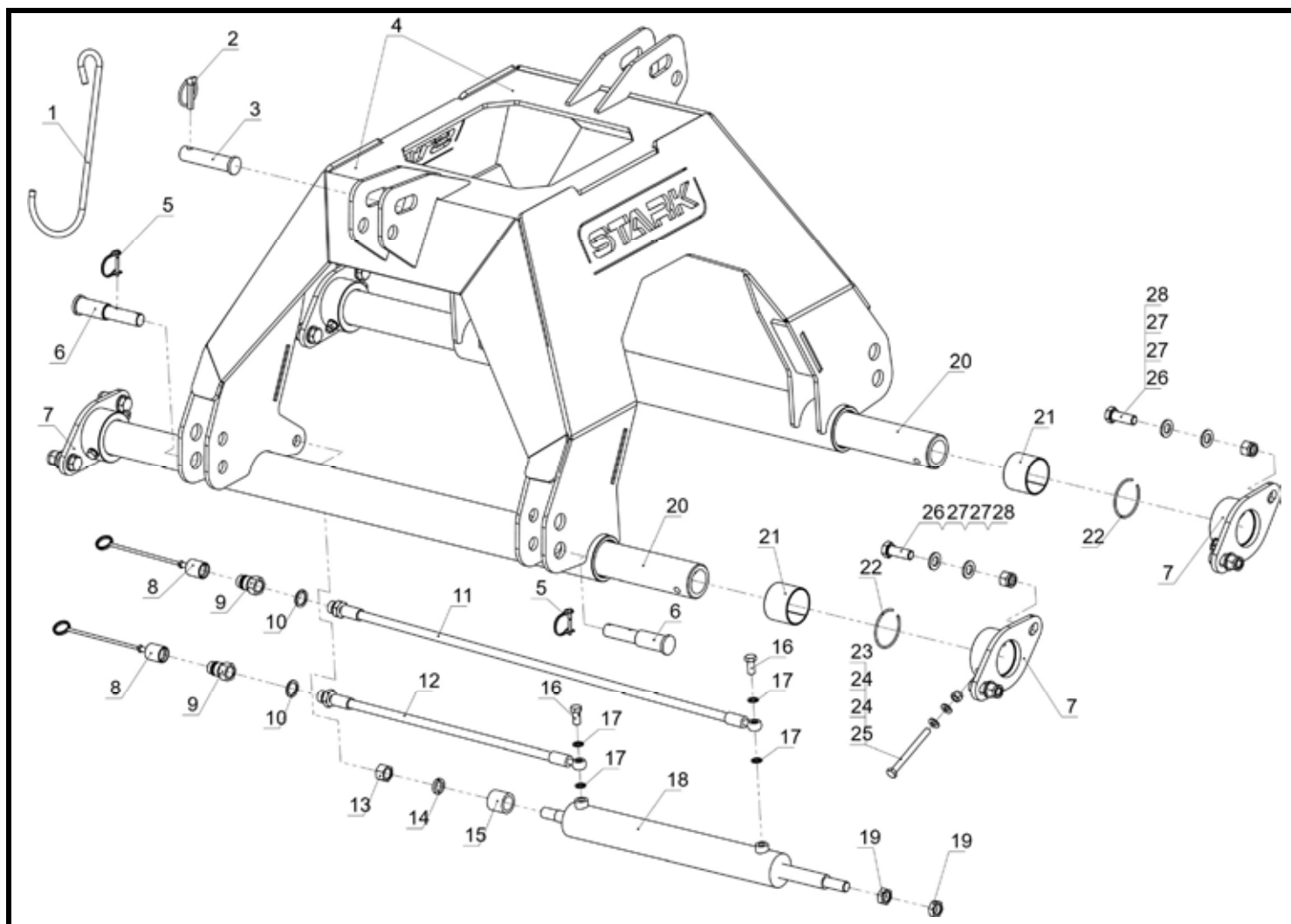


## ASSEMBLY DRAWING LIST



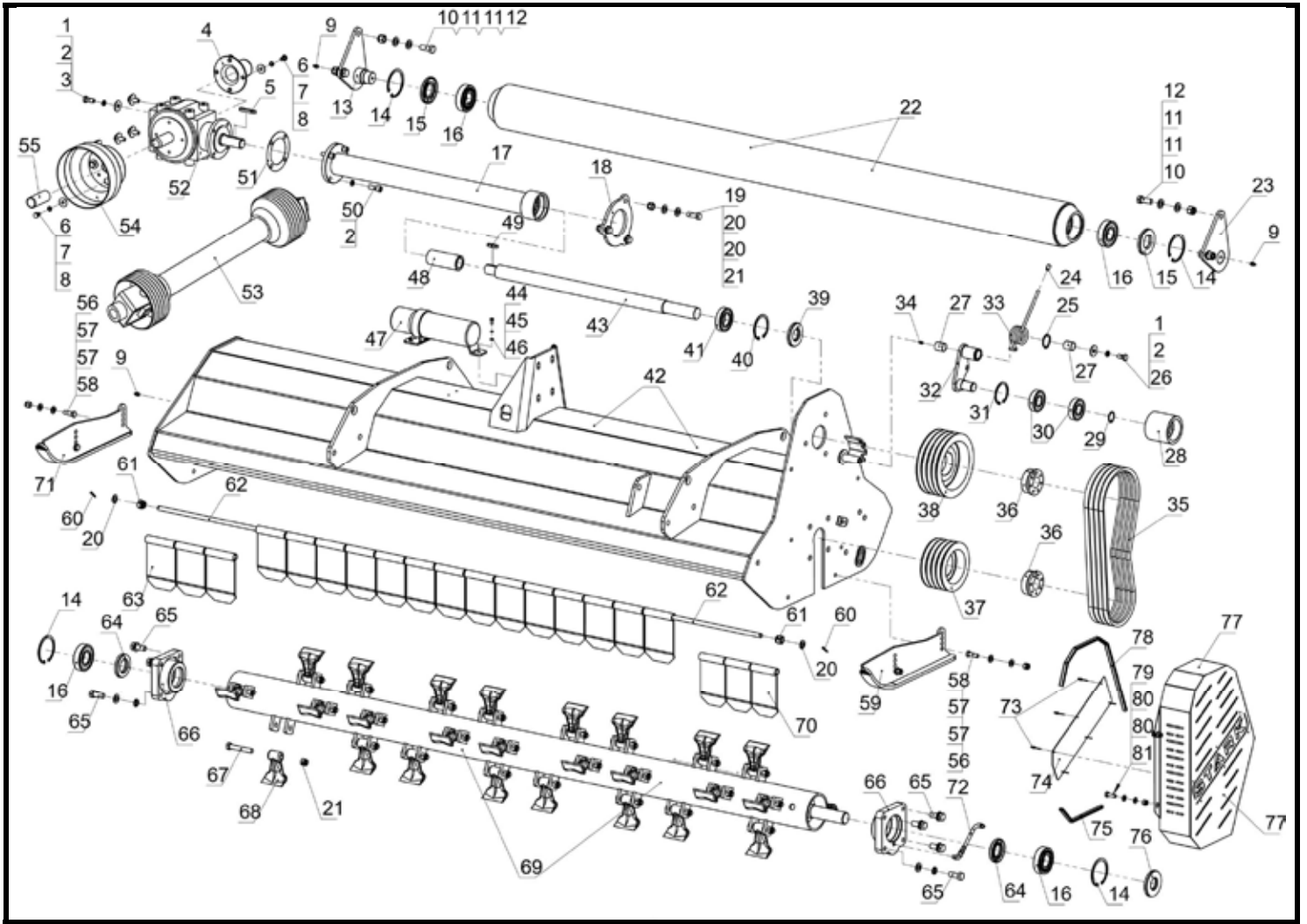
### KDX PROFI three-point linkage

Ser.No	Code	Name & Specification	Quantity	Remarks
1	100002	<a href="#">Nivelakselin koukku</a>	1	KDL, KDLP, KDS, KDX, KDXP, KM, KMHP, KSP
2	100003	<a href="#">Rengassokka</a>	1	KDL, KDLP, KDX, KDXP, KM, KMHP
3	400038	<a href="#">Ylempi työntövarren kiinnitystappi</a>	1	KDL, KDX, KDXP
4	700004	Kyt Kentäkolmio KDXP	1	KDXP
5	400034	Rengassokka 4.5	2	KDLP, KDX, KDXP
6	700006	Vetovarren tappi KDXP	2	KDXP
7	700007	Tangon kiinnityslaippa KDXP	4	KDXP
8	200004	<a href="#">Pikaliittimen suoja</a>	2	KDL, KDLP, KDS, KDX, KDXP, KM, KMHP, KSHP
9	200005	<a href="#">Pikaliitin G1/2</a>	2	KDL, KDLP, KDS, KDX, KDXP, KM, KMHP, KSHP
10	200006	<a href="#">Usit-tiiviste G1/2</a>	2	KDL, KDLP, KDS, KDX, KDXP, KM, KMHP, KSHP
11	200010	Letku 1900mm	1	KMH, KMHP, KDX, KDXP, KSHP
12	200007	Letku 1500 mm	1	KMH, KMHP, KDX, KDXP, KSHP
13	N000012	Mutteri M18x1.5	1	KMH, KMHP, KDX, KDXP, KSHP

### KDX PROFI three-point linkage

Ser.No	Code	Name & Specification	Quantity	Remarks
14	W000005	Jousiprikka 18	1	KMH, KMHP, KDX, KDXP, KSHP
15	200013	Sylinterin pusla	1	KMH, KMHP, KDX, KDXP, KSHP
16	200008	<a href="#">Banjopultti</a>	2	KDL, KDLP, KDS, KDX, KDXP, KMH, KMHP, KSHP
17	200009	<a href="#">Usit-tiiviste 12</a>	4	KDL, KDLP, KDS, KDX, KDXP, KMH, KMHP, RS, KSHP
18	400028	Sylinteri	1	KDX220-240, KDXP180-240
19	N000018	Sivuttaissiirron lukitusmutteri M18x1.5	2	KMH, KMHP, KDX, KDXP, KSHP
20	400021	Liukuputki KDX220-240/KDXP180-240	2	KDX220-240, KDXP180-240
21	400016	Laakeriholkki 60x65x50	4	KDX220-240, KDXP180-240
22	S000016	Lukkosokka läpimitta 65	4	KDX220-240, KDXP180-240
23	N000030	<a href="#">Lukkomutteri M10</a>	4	KDL, KDLP, KDS, KMHP, KDX, KDXP, KS, RS, KSP
24	W000014	<a href="#">Prikka 10</a>	8	KDL, KDLP, KDS, KMHP, KDX, KDXP, KS, RS, KSP
25	B000016	Pultti M10x110 KDX220-240	4	KDX220-240, KDXP180-240
26	B000103	<a href="#">Pultti M16x45</a>	8	KDL, KDX, KDXP
27	W000017	<a href="#">Prikka 16</a>	16	KDL, KDLP, KDX, KDXP
28	N000033	<a href="#">Lukkomutteri M16</a>	8	KDL, KDLP, KDX, KDXP, KM, KMHP, KSP

## ASSEMBLY DRAWING LIST



### KDX PROFI series

Ser.No	Code	Name & Specification	Quantity	Remarks
1	W000010	<a href="#">Iso priikka 12</a>	5	KDL, KDLP, KDS, KM, KMHP, KDX, KDXP, KSP
2	W000002	<a href="#">Jousipriikka 12</a>	9	KDL, KDLP, KDS, KM, KMHP, KDX, KDXP, RS
3	B000084	<a href="#">Pultti M12x30</a>	4	KDL, KDLP, KDS, KM, KMHP, KDX, KDXP, RS
4	400044	Akselin suoja	1	KMHP, KDX, KDXP
5	K000009	Avain A10x65	1	KM, KMHP, KDX, KDXP
6	B000073	<a href="#">Pultti M10x16</a>	8	KDL, KDLP, KDS, KM, KMHP, KDX, KDXP
7	W000001	<a href="#">Jousipriikka 10</a>	8	KDL, KDLP, KDS, KM, KMHP, KDX, KDXP, KS, RS, KSP
8	W000009	<a href="#">Iso priikka 10</a>	8	KDL, KDLP, KDS, KM, KMHP, KDX, KDXP, KS, KSP
9	600078	<a href="#">Rasvanipat M10</a>	3	KDL, KDLP, KDX, KDXP, KMHP, RS
10	B000102	<a href="#">Pultti M16x40 KDXP</a>	4	KDLP, KDXP
11	W000017	<a href="#">Priikka 16</a>	8	KDL, KDLP, KDX, KDXP
12	N000033	<a href="#">Lukkomutteri M16</a>	4	KDL, KDLP, KDX, KDXP, KM, KMHP, KSP

## KDX PROFI series

Ser.No	Code	Name & Specification	Quantity	Remarks
13	700041	Tukirullan kannake, oikea KDLP/KDXP	1	KDXP, KDLP
14	S000010	Lukkosokka läpimitta 90	4	KDL, KDLP, KDX, KDXP
15	OS000008	Stefa 45x90x10	2	KDL, KDLP, KDX, KDXP
16	400063	Laakeri 6308-RZ	4	KDL, KDLP, KDX, KDXP
17	400350	Vetoakselin suoja 180 KDXP	1	KDXP
	400066	Vetoakselin suoja 200/220	1	KDX200-220, KDXP200-220
	400067	Vetoakselin suoja 240	1	KDX240, KDXP240
18	700047	Vetoakselin tukilevy KDXP	1	KDXP
19	B000097	Pultti M16x40	3	KM, KDX, KDXP
20	W000016	Prikka 14	8	KDL, KDLP, KM, KDX, KDXP, KSP
21	N000032	<a href="#">Lukkomutteri M14</a>	N	KDL, KDLP, KM, KDX, KDXP, KS, KSP
22	500054	<a href="#">Takarulla 180</a>	1	KDL, KDX, KDXP
	400087	<a href="#">Takarulla 200</a>	1	KDL, KDX, KDXP
	400088	<a href="#">Takarulla 220</a>	1	KDL, KDX, KDXP
	400089	Takarulla 240	1	KDX, KDXP
23	700054	Tukirullan kannake, vasen KDLP/KDXP	1	KDLP, KDXP
24	700055	Tulppa KDXP	1	KDXP
25	S000017	Lukkosokka läpimitta 40 KDXP	1	KDXP
26	B000083	<a href="#">Pultti M12x25</a>	1	KDL, KDXP
27	700058	Laakeriholkki 25x28x30	2	KDXP
28	700059	Kiristyspyörä	1	KDXP
29	S000018	Lukkosokka läpimitta 30	1	KDXP, RS
30	700061	Laakeri 6306-2RZ	2	KDXP, RS
31	S000008	Lukkosokka läpimitta 72	1	KDXP
32	700063	Kiristyslaite	1	KDXP
33	700064	Kiristysjousi	1	KDXP
34	000094	Rasvanippa M6	1	KDXP, KS, KSP
35	700066	Hihna XPB 17x1270	4	KDLP, KDXP
36	400083	<a href="#">Kiristin 40x80</a>	2	KDL, KDLP, KDX, KDXP
37	400086	KDX Pieni kiilapyörä	1	KDLP, KDX, KDXP
38	400084	KDX iso kiilapyörä	1	KDLP, KDX, KDXP
39	OS000011	Stefa 40x80x10	1	KDX, KDXP
40	S000009	Lukkosokka läpimitta 80	1	KDX, KDXP
41	400070	Laakeri 6208-2RZ	1	KDX, KDXP
42	718000	Terälaitteen runko KDXP 180	1	KDXP
	700073	Terälaitteen runko KDXP 200	1	KDXP
	700074	Terälaitteen runko KDXP 220	1	KDXP
	700075	Terälaitteen runko KDXP 240	1	KDXP

## KDX PROFI series

Ser.No	Code	Name & Specification	Quantity	Remarks
43	400249	Vetoakseli 180	1	KDXP
	400049	Vetoakseli 200/220	1	KDX200-220, KDXP200-220
	400050	Vetoakseli 240	1	KDX240, KDXP240
44	B000143	Kotelon kiinnitysruuvi M6x10	3	KDLP, KDXP, KS
45	W000024	Jousiprikka 6	3	KDLP, KDXP, KS
46	W000025	Prikka 6	3	KDLP, KDXP, KS, KSP
47	000029	Ohjekirjan kotelo	1	KDLP, KDXP
48	100060	Booriakselin suoja	1	KM, KMHP, KDX, KDXP
49	K000001	Avain A10x 40	1	KM, KMHP, KDX, KDXP
50	B000146	Kuusiokoloruuvi M12x35	4	KM, KMHP, KDX, KDXP
51	100030	Tiiviste	1	KM, KMHP, KDX, KDXP
52	400042	Kulmavaihde KDX	1	KMHP, KDX, KDXP
53	400093	Nivelakseli OSB1000	1	KDX, KDXP
54	000024	<a href="#">Booriakselin suojus kulmavaihteeseen</a>	1	KDL, KDLP, KDS, KM, KMHP, KDX, KDXP, KSP
55	000030	<a href="#">Kulmavaihteen akselin suoja</a>	1	KDL, KDLP, KDS, KM, KMHP, KDX, KDXP, KS
56	N000031	<a href="#">Lukkomutteri M12</a>	4	KDL, KDLP, KDS, KM, KMHP, KDX, KDXP, KS, RS, KSP
58	B000085	<a href="#">Pultti M12x35</a>	4	KDL, KDLP, KDS, KM, KMHP, KDX, KDXP, KS, RS, KSP
59	400111	<a href="#">Tukisuksi, vasen</a>	1	KDL, KDLP, KDX, KDXP, KMHP
60	P000005	<a href="#">Pintisokka Ø4x25</a>	2	KDL, KDLP, KDS, KM, KMHP, KDX, KDXP, KS, RS, KSP
61	N000034	<a href="#">Lukkomutteri M18</a>	2	KDL, KDLP, KDX, KDXP
62	500110	<a href="#">Etupellin akseli 180</a>	1	KDL, KDLP, KDX, KDXP
	400096	<a href="#">Etupellin akseli 200</a>	1	KDL, KDLP, KDX, KDXP
	400097	<a href="#">Etupellin akseli 220</a>	1	KDL, KDX, KDXP
	400098	Etupellin akseli 240	1	KDX, KDXP
63	700099	Etupelti, iso KDXP	N	KDLP, KDXP
64	OS000009	<a href="#">Stefa 45x80x10</a>	2	KDL, KDLP, KDX, KDXP
65	400101	<a href="#">Pukkilaakerin pultti M16x40</a>	8	KDL, KDLP, KDX, KDXP
66	400103	<a href="#">Pukkilaakeri</a>	2	KDL, KDLP, KDX, KDXP
67	B000039	<a href="#">Pultti vasaraterään M14x90 (10.9)</a>	N	KDL, KDLP, KDX, KDXP
68	400108	<a href="#">Vasaraterä</a>	N	KDL, KDLP, KDX, KDXP
69	410000	Terärumpu KDX 180	1	KDLP, KDX, KDXP
	400104	Terärumpu KDX 200	1	KDLP, KDX, KDXP
	400105	Terärumpu KDX 220	1	KDLP, KDX, KDXP
	400106	Terärumpu KDX 240	1	KDX, KDXP
70	700108	Etupelti, pieni KDXP	N	KDLP, KDXP
71	400094	<a href="#">Tukisuksi, oikea</a>	1	KDL, KDLP, KDX, KDXP, KMHP
72	700110	Rasvanipan jatkoputki KDXP	1	KDXP
73	B000148	Niitti ø4x8 KDXP	6	KDXP
74	700112	Hihnakotelon kiinnitysalusta KDXP	1	KDXP
75	700113	U-tiiviste 0,3m	0.3m	KDXP
76	OS000010	<a href="#">Stefa 40x90x10</a>	1	KDL, KDLP, KDX, KDXP

**KDX PROFI series**

<b>Ser.No</b>	<b>Code</b>	<b>Name &amp; Specification</b>	<b>Quantity</b>	<b>Remarks</b>
<b>77</b>	700115	Hihnakotelo	1	KDXP
<b>78</b>	700116	U-tiiviste 0,7m	0.7m	KDXP
<b>79</b>	N000030	<a href="#">Lukkomutteri M10</a>	4	KDL, KDLP, KDS, KMHP, KDX, KDXP, KS, RS, KSP
<b>80</b>	W000014	<a href="#">Prikka 10</a>	8	KDL, KDLP, KDS, KMHP, KDX, KDXP, KS, RS, KSP
<b>81</b>	B000076	<a href="#">Pultti M10x30</a>	4	KDL, KDS, KDXP, RS, KSP